



## Ex emergency pull-wire switch

Ex ZS 73 2Ö VD / 120-180 N - 3m

Material number: 1182418 (Material number old: 73541302)

### Features/Options:

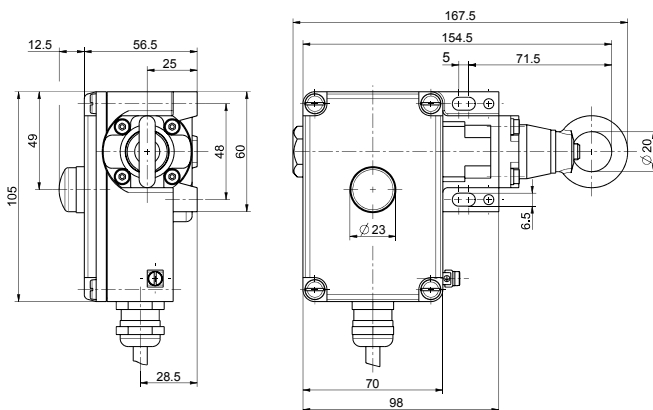
- Ex zone 1 and 21
- 2 contacts
- Wire length up to 130 m
- Adjustable spring force: 120-180 N

### Notes

- At 5 m distance intermediate wire supports are required. One wire thimble is provided.

- Release by push-button (VD)
- Wire pull and breakage detection
- Attention: Please state required international approvals with your order!

### Dimensions



### Technical data

Applied standards	EN 60947-5-1, EN 60947-5-5, EN 60079-0, EN 60079-1, EN 60079-31, EN ISO 13850, EN ISO 13849-1
Enclosure	aluminium die-cast, enamel finish
Cover	thermoplastic, glass-fibre reinforced, impact resistant, self-extinguishing UL 94 V-0
Degree of protection	IP 65 to IEC/EN 60529
$B_{10d}$ (10 % load)	200 000
$T_M$	max. 20 years
Switch insert	1 x Ex 14
Contact material	silver
Switching system	slow action, positive break NC contacts $\ominus$
Switching elements	2 NC contacts, type Zb
Connection	pre-wired cable H05VV-F
Cable length	3 m
Cable cross-section	4 x 0.75 mm <sup>2</sup> (incl. conductor ferrules)
Rated impulse withstand voltage $U_{imp}$	4 kV
Rated operating isolation voltage $U_i$	250 V
Conventional thermal current $I_{the}$	T6: 6 A, T5: 3 A
Utilisation category	AC-15; DC-13
Rated operating current/voltage $I_e/U_e$	6 A/250 VAC; 0.25 A/230 VDC
Short-circuit protection	6 A gG/gN fuse

Errors and omissions excepted.

